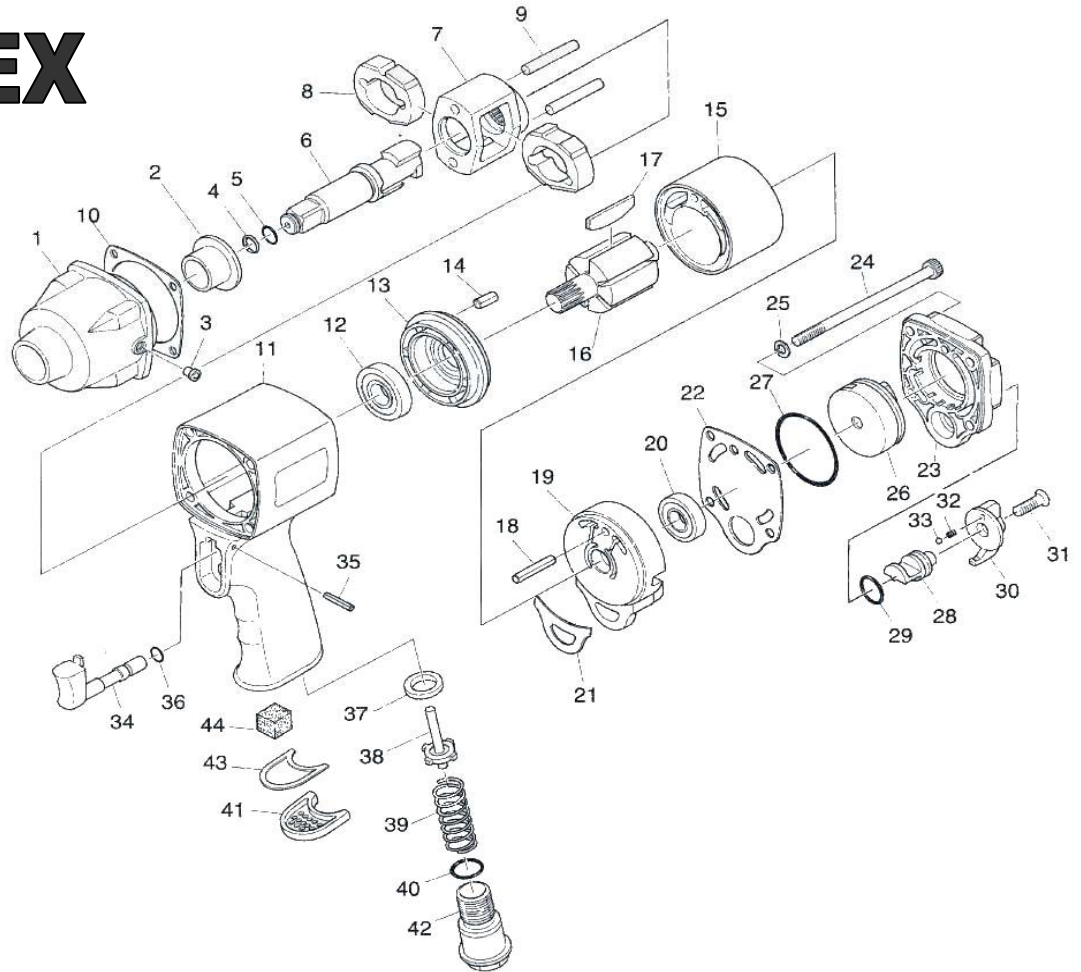




1/2" SQ. DR. IMPACT WRENCH

EXPLODED VIEW

KE-625EX



INDEX	PART #	DESCRIPTION	QTY	INDEX	PART #	DESCRIPTION	QTY
1	625EX01	HAMMER CASE	1	25	625EX25	SPRING WASHER	4
2	625EX02	HAMMER CASE BUSHING	1	26	625EX26	REGULATOR DIAL	1
3	625EX03	GREASE FITTING	1	27	S-34	O RING	1
4	500EX06	SOCKET RETAINER RING	1	28	625EX28	REVERSE VALVE	1
5	P-7	O RING	1	29	S-10	O RING	1
6	625EX06	ANVIL SHANK 1/2"	1	30	625EX30	REVERSE LEVER	1
7	625EX07	HAMMER FRAME	1	31	625EX31	SCREW	1
8	500EX09	HAMMER	2	32	500EX33	SPRING	1
9	500EX11	HAMMER PIN	2	33	2.5D	STEEL BALL	1
10	625EX10	HAMMER CASE GASKET	1	34	625EX34	TRIGGER	1
11	625EX11	MOTOR HOUSING	1	35	SP2X18	SPRING PIN	1
12	6002ZZ	BALL BEARING	1	36	625EX36	O RING	1
13	625EX13	FRONT END PLATE	1	37	625EX37	VALVE SEAT	1
14	SP5X10	SPRING PIN	1	38	625EX38	VALVE	1
15	625EX15	CYLINDER W/SLEEVE	1	39	625EX39	VALVE SPRING	1
16	625EX16	ROTOR	1	40	P-14	O RING	1
17	625EX17	ROTOR BLADE	6	41	625EX41	DEFLECTOR	1
18	SP4X25	SPRING PIN	1	42	625EX42	SWIVEL INLET	1
19	625EX19	REAR END PLATE W/BUSHING	1	43	625EX43	DEFLECTOR GASKET	1
20	6001ZZ	BALL BEARING	1	44	625EX44	MUFFLER FOAM	1
21	625EX21	REAR END PLATE GASKET	1				
22	625EX22	HOUSING CAP GASKET	1				
23	625EX23	HOUSING CAP	1				
24	625EX24	TORX SCREW	4				