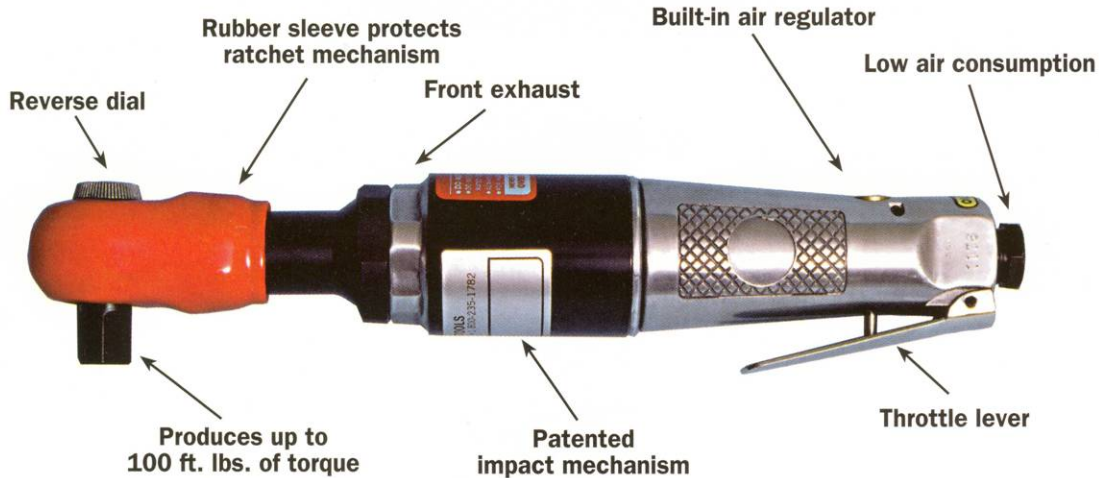


TIRED OF BRUISED AND BLOODY KNUCKLES?

Ratchepact's™ patented mechanism eliminates twisted wrists and smashed knuckles!



MODELS KW-1175 & KW-1176

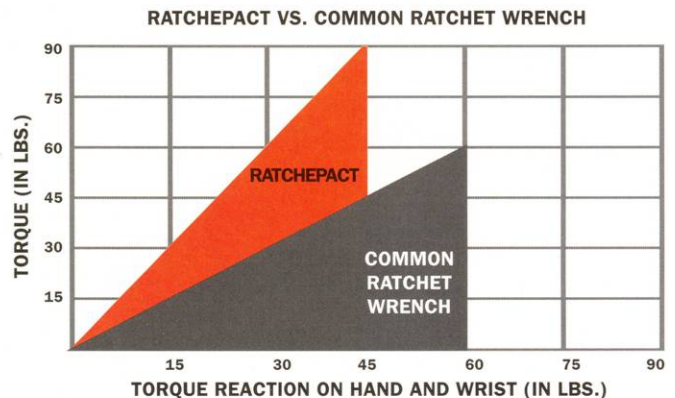
SPECIFICATIONS

	1175	1176
SQUARE DRIVE	3/8"	1/2"
NO LOAD RPM	280	280
BOLT CAPACITY	7/16"	9/16"
AIR INLET	1/4"	1/4"
REC. HOSE SIZE	3/8"	3/8"
LENGTH	10 1/2"	10 1/2"
WEIGHT (LBS.)	3 1/4	3 1/4
AIR CONSUMPTION (C.F.M.)	2 1/2	2 1/2

FEATURES

- Safe Eliminates shock to hands.
- Fast Pin clutch impact mechanism; needs no final tightening
- Unique Only tool of its kind; impacts first, then ratchets.
- Powerful Twice as powerful as most brands.
- Handy Broad range of applications.
- Warranty One year.

Reaction Ratio



Ratchepact™ turns the bolt ... not your wrists!



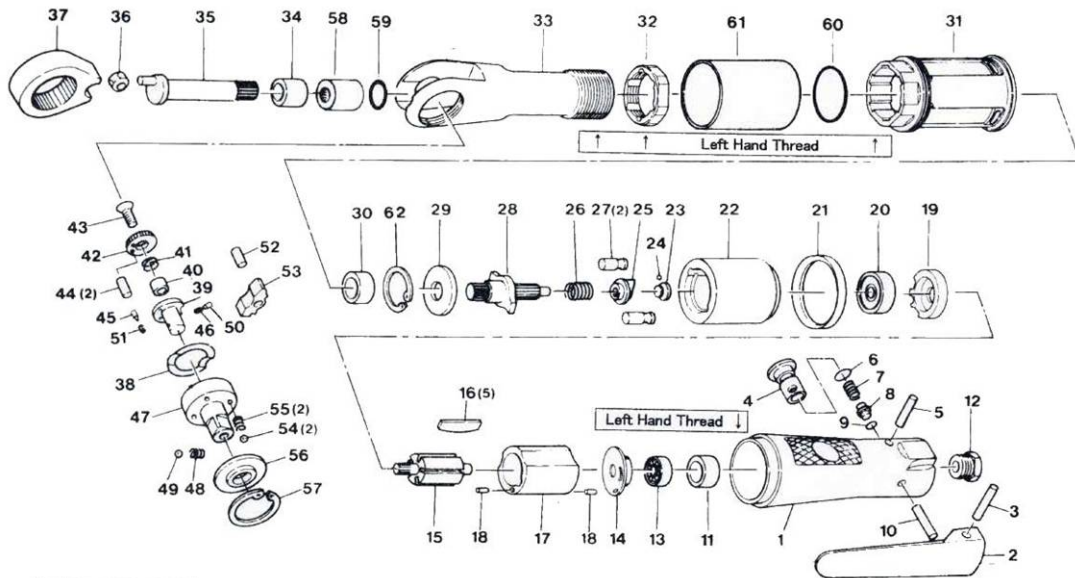
K&E TOOLS
division of
Railhead Corporation

800/235-1782 • 773/779-2400 • Fax 773/779-0231

3/8" & 1/2" SQ.DR. RATCHEPACT™ T.M.

EXPLODED VIEW

RatchePact™



PAT. PENDING

INDEX	PART #	DESCRIPTION	QTY	INDEX	PART #	DESCRIPTION	QTY
1	917501	MOTOR HOUSING	1	35	917535	CRANKSHAFT	1
2	917502	THROTTLE LEVER	1	36	917536	DRIVE BUSHING	1
3	917503	LEVER PIN	1	37	917537	RATCHET YOKE	1
4	917504	REGULATOR	1	38	917538	WEAR WASHER	1
5	917505	THROTTLE LEVER PIN	1	39	917539	3/8" REVERSE SHAFT	1
6	917506	VALVE SCREW O RING	1		917639	1/2" REVERSE SHAFT	1
7	917507	THROTTLE VALVE SPRING	1	40	917540	REVERSE COLLAR	1
8	917508	THROTTLE VALVE	1	41	917541	REVERSE KNOB SPRING	1
9	917509	THROTTLE VALVE O RING	1	42	917542	REVERSE KNOB	1
10	917510	THROTTLE PLUNGER	1	43	917543	REVERSE KNOB SCREW	1
11	917511	BEARING CAP	1	44	917544	REVERSE PUCH PIN	1
12	917512	INLET BUSHING	1	45	917545	LOCK PIN	1
13	917513	REAR ROTOR BALL BEARING	1	46	917546	RATCHET SPRING	1
14	917514	REAR END PLATE	1	47	917547	3/8" ANVIL	1
15	917515	ROTOR	1		917647	1/2" ANVIL	1
16	917516	ROTOR BLADE	5	48	917548	3/8" SPRING	1
17	917517	CYLINDER	1		917648	1/2" SPRING	1
18	917518	DOWEL PIN	2	49	917549	3/8" STEEL BALL	1
19	917519	FRONT END PLATE	1		917649	1/2" STEEL BALL	1
	917564	OIL SEAL	1	50	917550	LOCK PIN	1
20	917520	FRONT ROTOR BALL BEARING	1	51	917551	RATCHET SPRING	1
21	917521	LOCK SPACER	1	52	917552	RATCHET PAWL PIN	1
22	917522	HAMMER CAGE	1	53	917553	RATCHET PAWL	1
23	917523	CAM BALL PILOT	1	54	917554	DETENT BALL	1
24	917524	CAM BALL	1	55	917555	DETENT SPRING	1
25	917525	CAM HAMMER	1	56	917556	3/8" THRUST WASHER	1
26	917526	CAM RELEASE SPRING	1		917656	1/2" THRUST WASHER	1
27	917527	ANVIL HAMMER PIN	1	57	917557	ANVIL RETAINING RING	1
28	917528	ANVIL	1	58	917558	COUPLING	1
29	917529	ANVIL SPACER	1	59	917559	O RING	1
30	917530	HOUSING BUSHING	1	60	917560	O RING	1
31	917531	CLUTCH HOUSING	1	61	917561	PIPE	1
32	917532	CLAMP NUT	1	62	917562	RETAINING RING	1
33	917533	RATCHET HOUSING	1				
34	917534	CRANKSHAFT BUSHING	1				