



# KW-1600Spro

**New**

**1/2" SQ. DRIVE IMPACT WRENCH**



**K&E TOOLS**  
**10721 S. WESTERN AVE.**  
**CHICAGO, IL 60643**  
**800-235-1782 FAX 773-779-0231**  
**WWW.KETOOLS.COM**

**LIGHTEST WEIGHT**  
1.46kg

**HIGHER TORQUE**  
330N·m

**LOWEST NOISE**  
78dB(A)

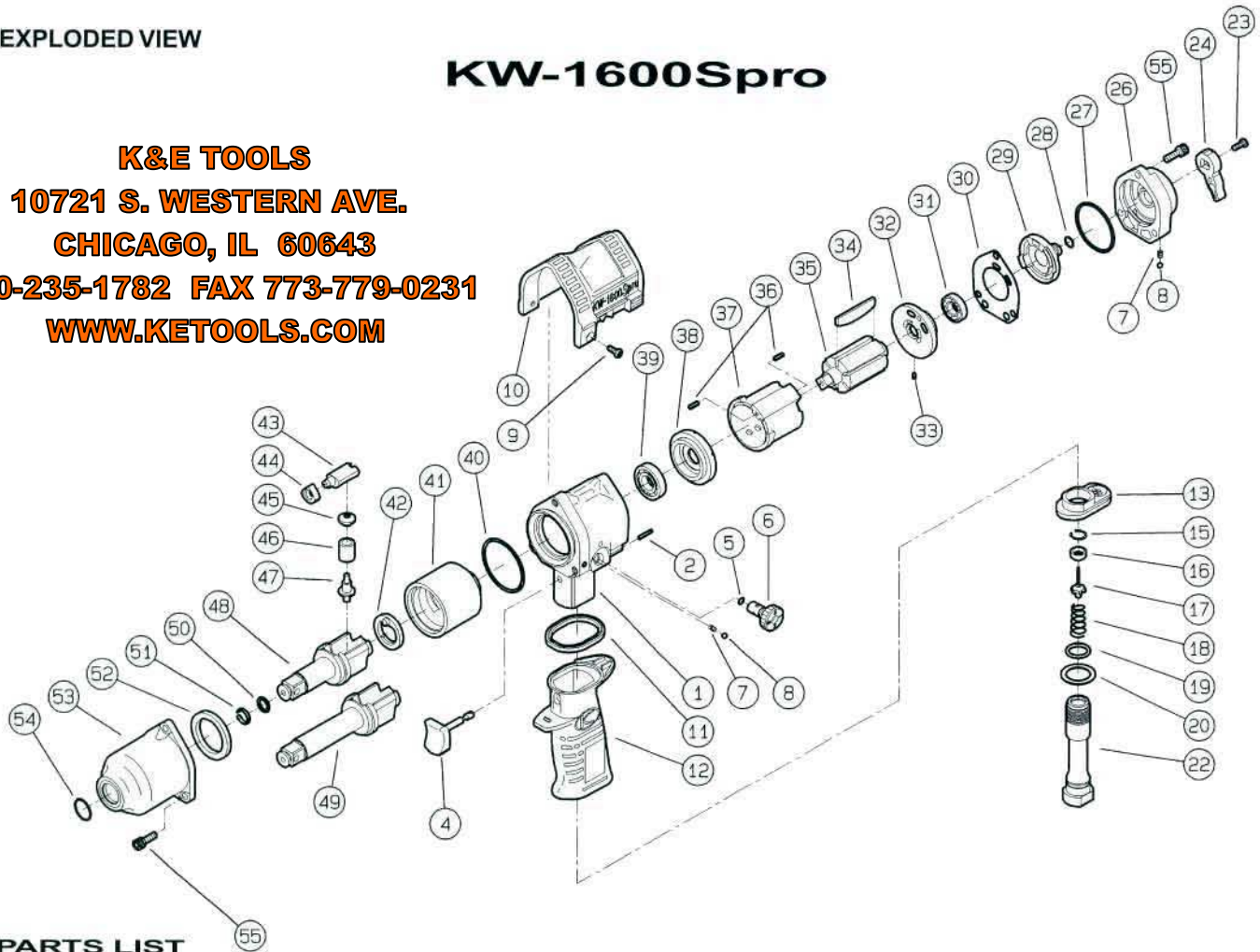
**SPECIFICATION:** (Performance figures are at 0.62 MPa(90 P.S.I.)air pressure.)

Capacity Of Bolt Size . . . . .	16mm . . . . .	5/8"
Impact Per Min. . . . .	1,500 . . . . .	
Free Speed R.P.M. . . . .	8,000 . . . . .	
Recommended Torque . . . . .	100~330N·m. . . . .	74~244 ft.-lb.
Length . . . . .	165mm. . . . .	6-1/2"
Weight . . . . .	1.46kg. . . . .	3.2 lbs.
Side To Center Distance . . . . .	28mm. . . . .	1-1/8"
Air Consumption . . . . .	0.30m <sup>3</sup> /min. . . . .	10.7 c.f.m.

EXPLODED VIEW

# KW-1600Spro

**K&E TOOLS**  
**10721 S. WESTERN AVE.**  
**CHICAGO, IL 60643**  
**800-235-1782 FAX 773-779-0231**  
**WWW.KETOOLS.COM**



**PARTS LIST**

REF. NO. on DRAW	PART NUMBER	PART NAME	Q'YT.	REF. NO. on DRAW	PART NUMBER	PART NAME	Q'YT.
1	0516081B	Motor Case C.P.	1	28	Z041S9	"O" Ring	1
2	Z05625×16	Spring Pin	1	29	0516015B	Reversing Valve	1
				30	0516006B	Mortor Gasket	1
4	0516012C	Throttle Lever	1	31	Z001EE3	Ball Bearing	1
5	Z041S6	"O" Ring	1	32	0516024B	Rear End Plate	1
6	0516017B	Regulating Knob	1	33	Z05625×8B	Spring Pin	1
7	0114194	Knock Spring	2	34	0108922	Rotor Blade	6
8	Z0104D	Steel Ball	2	35	0516021	Rotor	1
9	Z0804×10	Tapping Screw	2	36	Z0563×8	Spring Pin	2
10	05160041C	Protector	1	37	0516020C	Cylinder	1
11	05160016B	Grip Gasket	1	38	0516023	Front End Plate	1
12	05160011C	Grip	1	39	Z001EE4	Ball Bearing	1
13	05160815B	Grip End C.P.	1	40	Z041S42	"O" Ring	1
				41	0516026	Hammer Wheel	1
15	Z03012	Stop Ring	1	42	0516050	Retainer	1
16	0516010B	Throttle Valve Seat	1	43	0516028	Anvil Piece	1
17	05160131BA	Throttle Valve	1	44	0516027	Cam	1
18	0114190	Throttle Valve Spring	1	45	0516052B	Plunger B	1
19	Z040P14	"O" Ring	1	46	0516053A	Spring	1
20	0516075B	Washer	1	47	0516051B	Plunger A	1
				48	05160843B	Anvil C.P.	1
22	0516011C	Inlet Bushing	1	49	05160844A	2" Anvil C.P.	1
23	Z0704×10	Tapping Scre	1	50	Z040P9	"O" Ring	1
24	0516016B	Reversing Lever	1	51	0114134	Retainer Ring	1
				52	0516029	Spacer	1
26	05160881B	Case Cover Unit	1	53	0516082B	Impact Housing C.P.	1
26	0516088B	Case Cover C.P.	1	54	Z040P17J1	"O" Ring	1
27	Z04340015	"O" Ring	1	55	Z0665×16A	Bolt	6